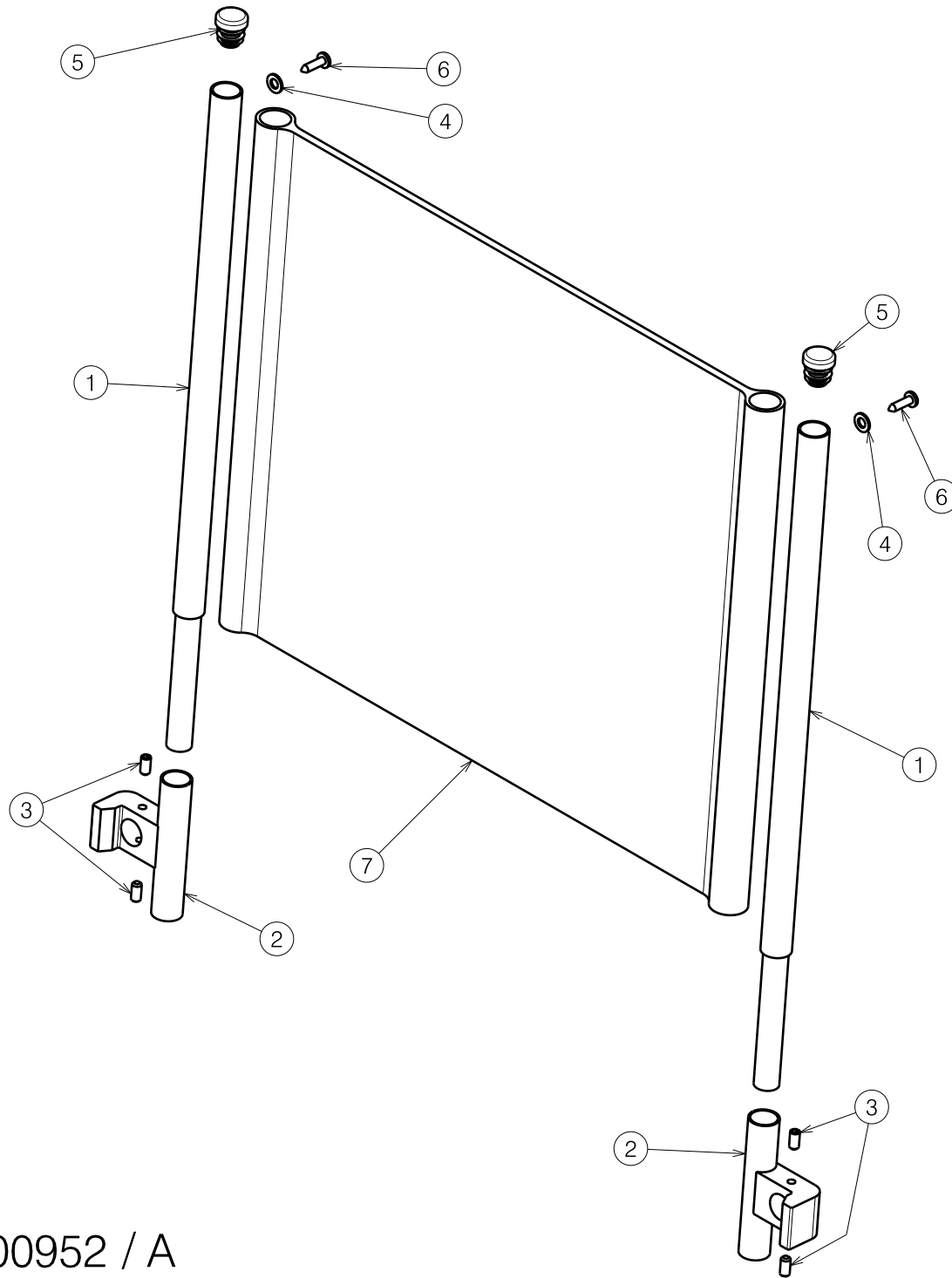


Material			
No.	Plan	Article	Quantity
1	Y000917	1322904	2
2	Y020682	2003604	2
3	M5x10 DIN916/45H	1001485	4
4	M5 DIN125A	1001550	2
5	D16	1001598	2
6	D4X16	1003021	2
7	---	3991161 (38)	1
		3991589 (40)	1
		3991163 (42)	1
		3991164 (44)	1
		3991165 (46)	1
		3991166 (48)	1
		3991167 (50)	1
		3991168 (52)	1



E000952 / A

B14 TYPE D-SERIES				Plan No.
				E000952 / A
Scale: 3:10	Drafted	Verified	Confirmed	
Date	14/04/2014	14/04/2014	14/04/2014	
Initials	SD	SD	PJ	