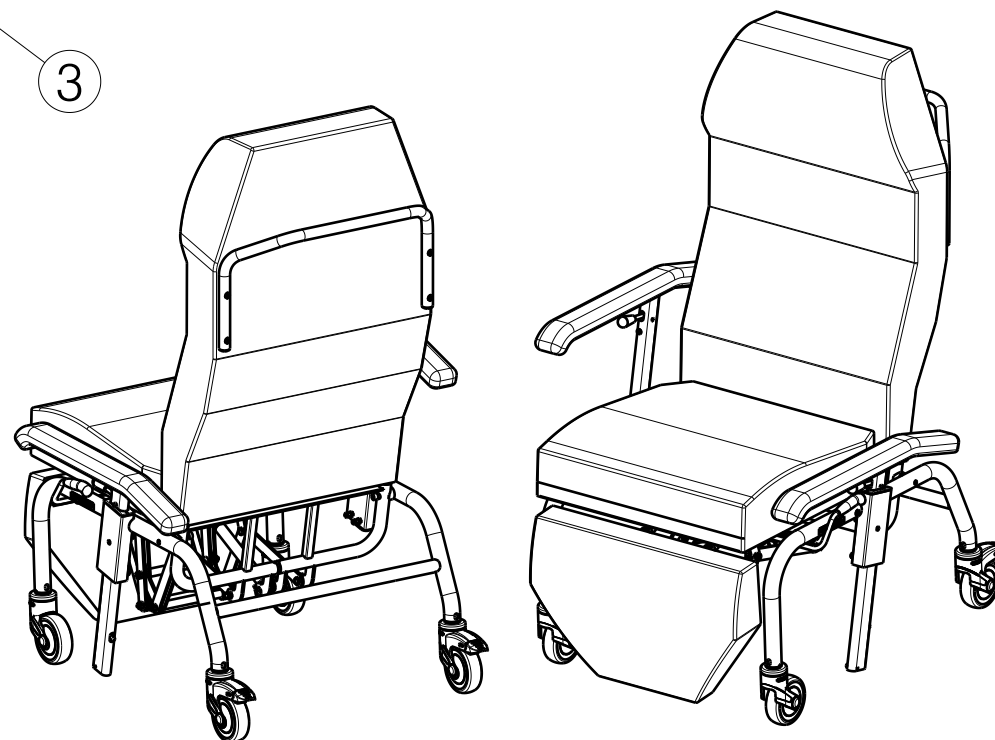


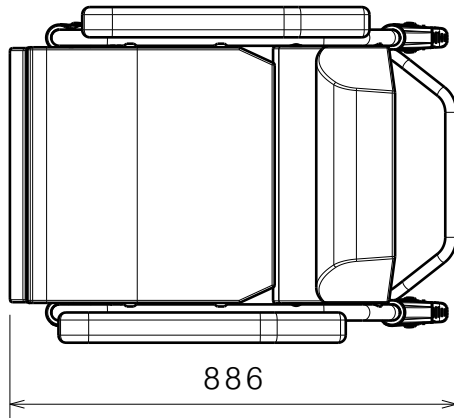
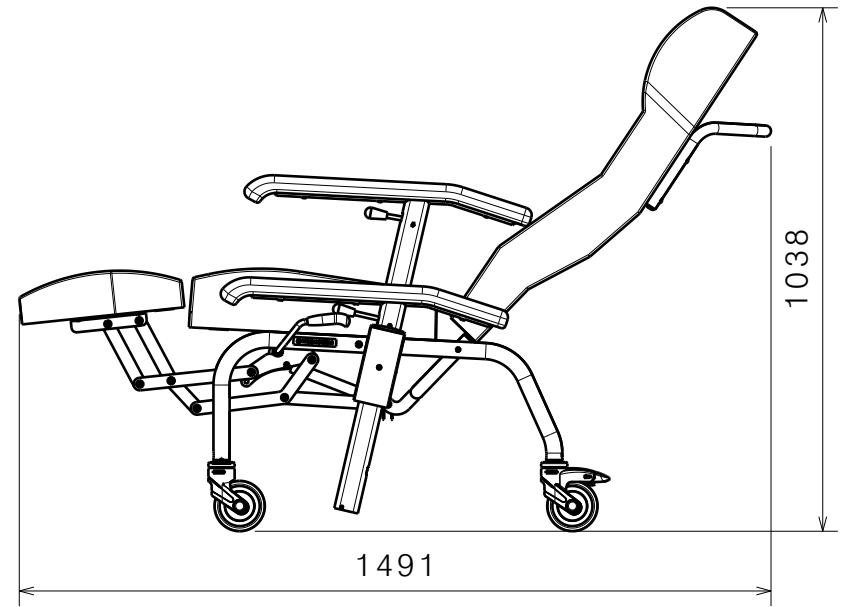
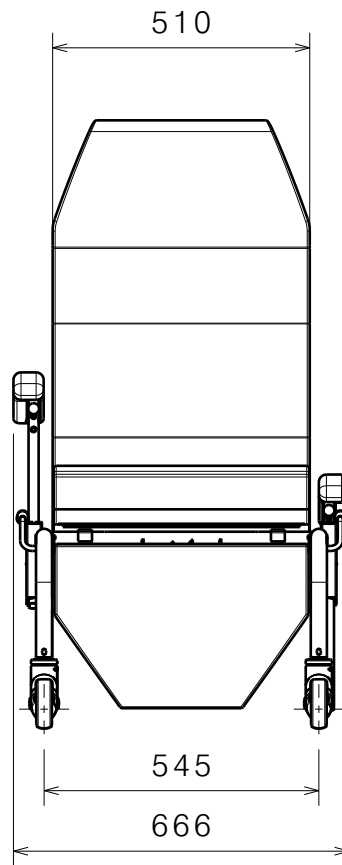
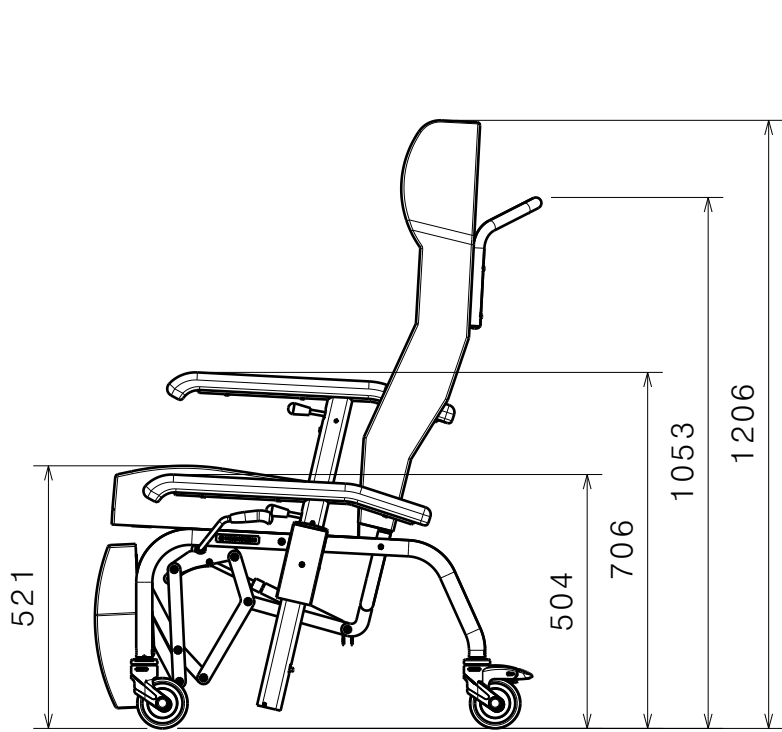
Material			
No.	Plan	Article	Quantity
1	EP00530	2994886	1
2	EP00531	2994887	1
3	EP00532	2994888	1
4	EP00533	2994889	1
5	EP00534	2994890	1
6*	XP03295	U000434	1
7**	Cap D22	1001625	2




EP00535 / I

\* - not depicted;  
 \*\* - use only in transport to protect upholstery - see packing instruction;  
 \*\*\* - SOP: S-BE.90.03 - packing instruction.

SPECIFICATION / NORMANDIE 2020				Plan No.
				1/2 EP00535/ I
Scale: 1:10	Drafted	Verified	Confirmed	
Date	13/07/2020	07/08/2023	07/08/2023	
Initials	AZ	AZ	TK	



EP00535 / I

SPECIFICATION / NORMANDIE 2020				Plan No.
				EP00535/ I
Scale: 1:15	Drafted	Verified	Confirmed	
Date	13/07/2020	07/08/2023	07/08/2023	
Initials	AZ	AZ	TK	