

Sheet 1/3

NAVIX FWD LOWER FRAME  
NAVIX FWD ONDERFRAME

Plan No.

E000695 / U

Scale: 1:7

Drafted

Verified

Confirmed

Date

22/02/2011

02/07/2021

02/07/2021

Initials

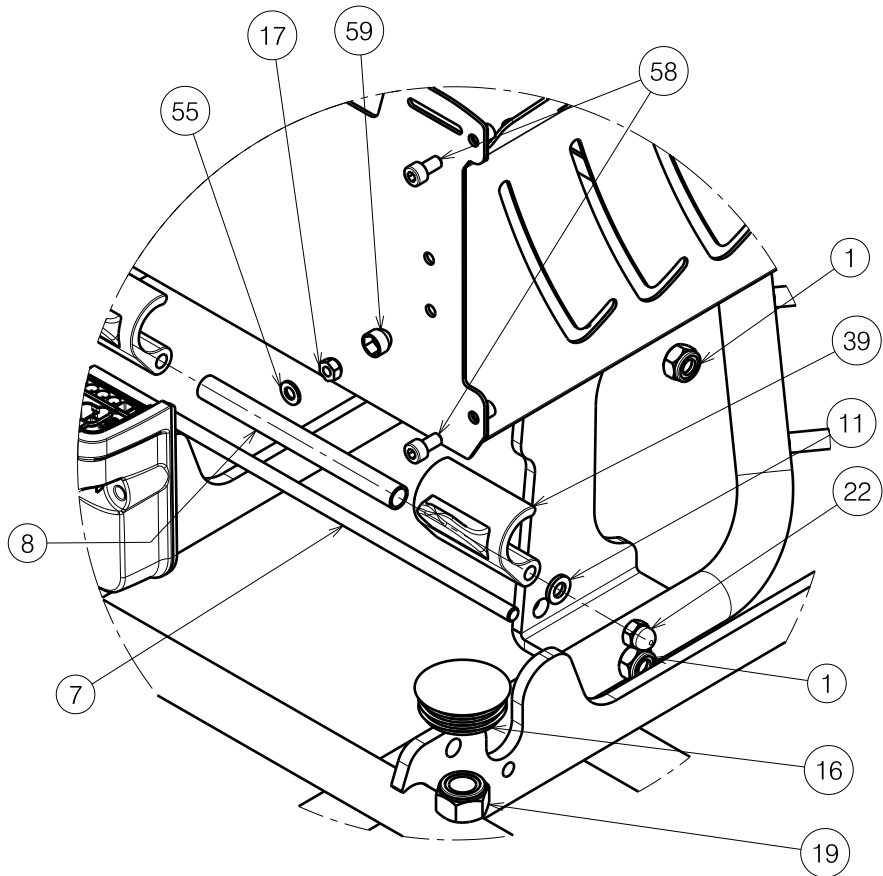
DD

SD

PJ

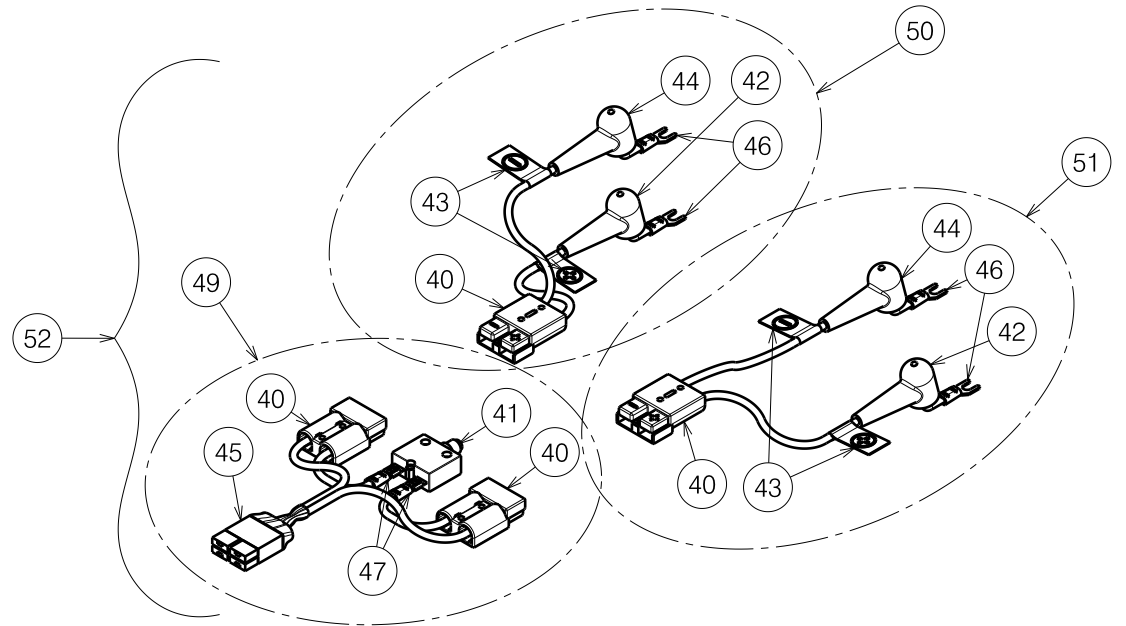


E000695 / U




Detail A

Scale: 1:3



Battery cables


NAVIX FWD LOWER FRAME				Plan No.
NAVIX FWD ONDERFRAME				E000695 / U
Scale: 1:7	Drafted	Verified	Confirmed	
Date	22/02/2011	02/07/2021	02/07/2021	
Initials	DD	SD	PJ	

Material			
No.	Plan	Article	Quantity
1	X001016	1001682	6
2	M12x90 DIN931	1995042	2
3	X005948	2075204	2
4	Y016941	1749754	1
5	X005142	1909257	1
6	Y016972	1752554	2
7**	X004581	1753900	1
8**	Y017259	1749854	1
10	Y017405	17491..	1
11**	M6 DIN125	1000973	2
12	M5X12 DIN912	1001489	2
15	M12 DIN125	1001561	2
16	---	1001611	2
17	M5 DIN985	1001679	2
18	M12X1.5 DIN985	1993736	2
19	M12 DIN985	1001684	2
21	---	1007521	2
22**	M6	1008492	2
23	M8X65 DIN912	1009569	2
24A	Φ200x50	1909456	1
	Φ200x50 R-fill	1910146	1
24B	Φ200x50	1909457	1
	Φ200x50 R-fill	1910147	1
25	M5X35 DIN912	1007961	2
26	60A	1912294	1
	40A	1909021	1
27	220W	1916563	1
28	220W	1916564	1
29	---	1906679	2
30	---	1906684	4
31	R310	1909455	2
	R310 R-fill	1910145	2
32	X005590	1912550	4
33	---	2990526	2

Material			
No.	Plan	Article	Quantity
34	X000188	G078500	2
35	12V - 44Ah	1906482***	2
	12V - 50Ah	1904684****	2
36	M8X76 DIN912	1998993	2
37	M8	1998994	2
39**	---	2990091	2
40	X002404	1991692	4
41	---	1000746	1
42	---	1901731	2
43	---	1901755	4
44	---	1994180	2
45	---	1994573	1
46	---	L000001	4
47	---	L000077	2
48*	---	T001045	0.1
49	---	1906798	1
50	---	1906799	1
51	---	1906800	1
52	---	1906782	1
53*	---	W620150	0.02
54*	---	W620151	2
55	M5 DIN125	1001550	2
56	M8x16 ISO7380	1991858	2
57	M8X70 DIN912	1005289	4
58	M5X10 DIN912	1001488	4
59	---	1909454	2
60	M8 DIN934	1001671	2
61	X005083	1908680	2
62	M8x16 DIN912	1001498	8
63	8A	1915905	1

E000695 / U

\* Not depicted  
 \*\* Not used with lift 1906922  
 \*\*\* For PL  
 \*\*\*\* For other countries

NAVIX FWD LOWER FRAME				Plan No.
NAVIX FWD ONDERFRAME				E000695 / U
Scale: 1:7	Drafted	Verified	Confirmed	
Date	22/02/2011	02/07/2021	02/07/2021	
Initials	DD	SD	PJ	

Sheet 3/3