
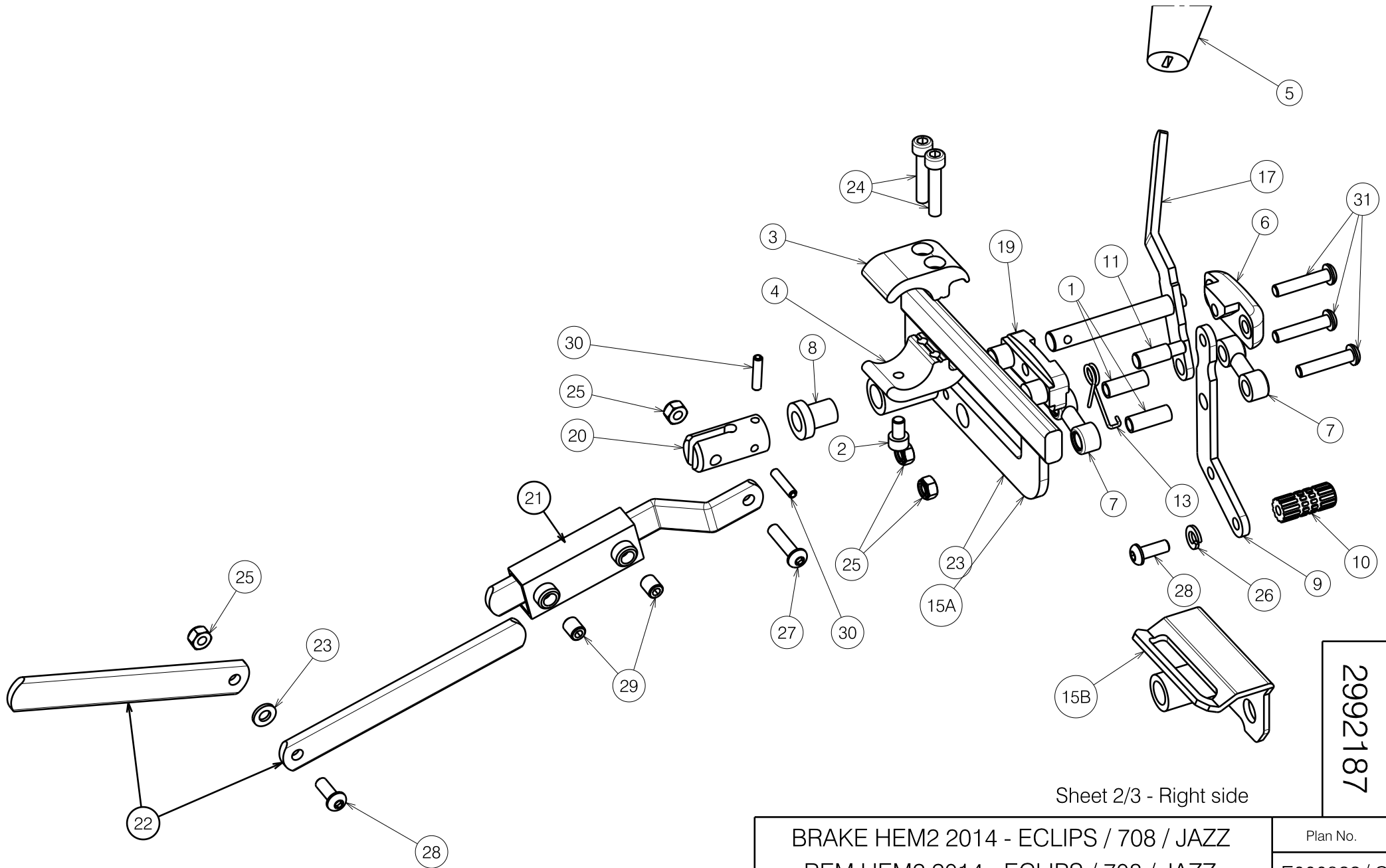


Sheet 1/3 - Left side

2992187

E000922 / C

BRAKE HEM2 2014 - ECLIPS / 708 / JAZZ				Plan No. E000922 / C
REM HEM2 2014 - ECLIPS / 708 / JAZZ				
Scale: 2:5	Drafted	Verified	Confirmed	
Date	28/01/2014	21/01/2019	21/01/2019	
Initials	SD	TT	PJ	



Sheet 2/3 - Right side

2992187

BRAKE HEM2 2014 - ECLIPS / 708 / JAZZ

REM HEM2 2014 - ECLIPS / 708 / JAZZ

Plan No.

E000922 / C

Scale: 2:5

Drafted

Verified

Confirmed

Date

28/01/2014

21/01/2019

21/01/2019

Initials

SD

TT

PJ



E000922 / C


Material			
No.	Plan	Article	Quantity
1	X000359	G001106	4
2*	X002112	1001491	2
3*	X002115	1552682	2
4*	X002116	1552782	2
5	X002134	1992411	2
6	X002140	1992427	2
7	X002141	1992435	4
8	X002469	1993579	2
9	X002471	1519554	2
10	X005274	17937	2
11	X005276	1793900	2
12	X005305	1910032	1
13	X005306	1910033	1
14A	Y004707	1519054	1
14B	Y004729	1520054	1
15A	Y004708	1519154	1
15B	Y004730	1520154	1
16	Y004711	1519354	1
17	Y004712	1519454	1
18	Y004723	F002793	1
19	Y004724	F002794	1
20	Y004877	1519200	2
21	Y005379	1543354	2
22	Y005381	1543454 (39-42)	2
	Y005383	1543554 (44-46)	2
	Y005385	1543654 (48-50)	2
23	M6 DIN125	1000973	5
24*	M6x30 DIN912	1001495	4
25	M6 DIN985	1001680	7
26	M6 DIN127	1004414	2
27	M6x25 ISO7380	1006998	2
28	M6x16 ISO7380	1008459	3
29	M8x10 DIN916/45H	1008942	4
30	D4x20 DIN1481	1009584	4
31	M6x30 ISO7380	1009588	6

\* Only for Eclips / Jazz / V-serie  
A: Eclips / Jazz / V-serie  
B: 708

Sheet 3/3

2992187

E000922 / C

BRAKE HEM2 2014 - ECLIPS / 708 / JAZZ				Plan No.
REM HEM2 2014 - ECLIPS / 708 / JAZZ				E000922 / C
Scale: 2:5	Drafted	Verified	Confirmed	
Date	28/01/2014	21/01/2019	21/01/2019	
Initials	SD	TT	PJ	