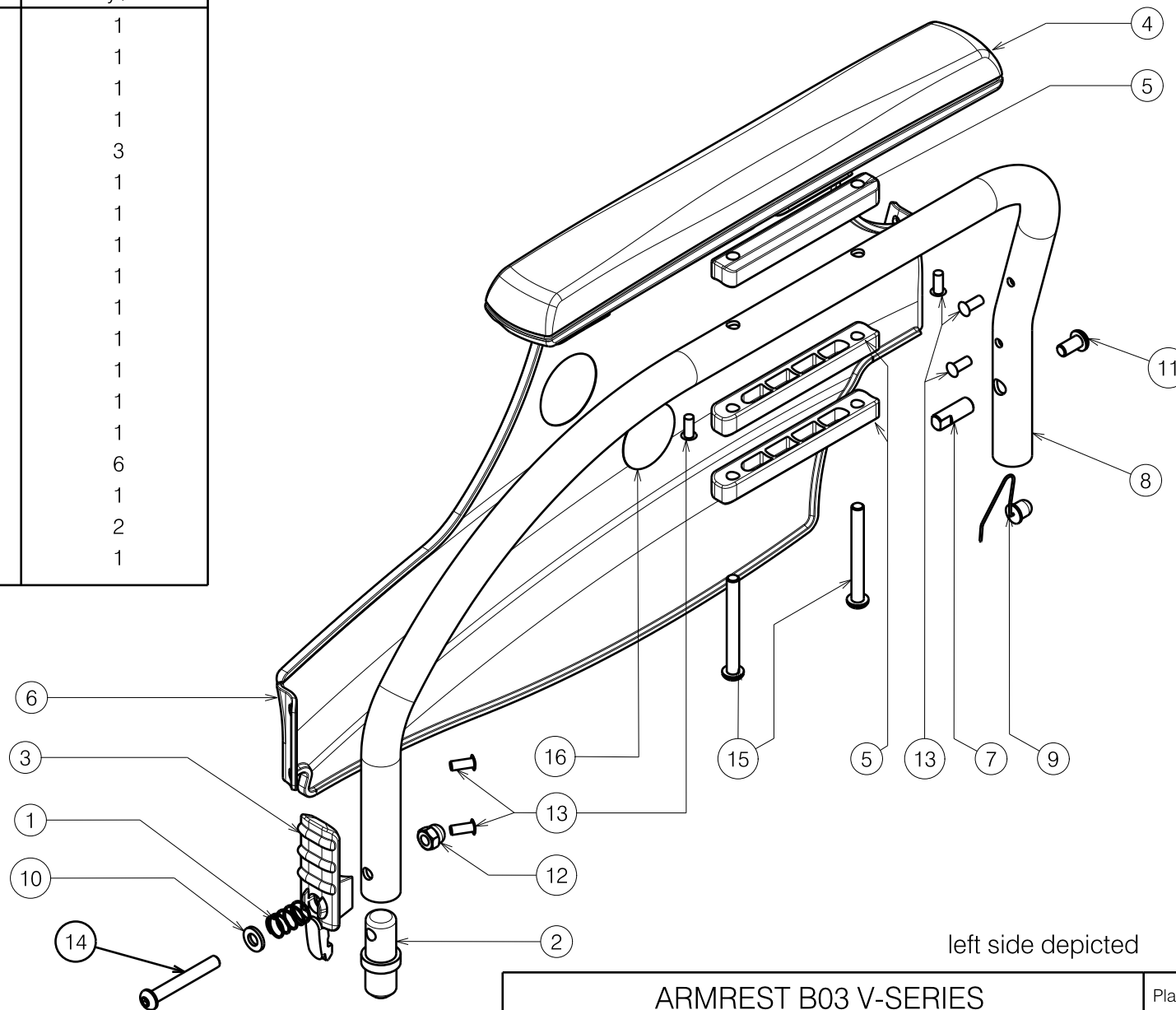


Material / Materiaal			
No. / Nr.	Plan	Article / Artikel	Quantity / Aantal
1	---	1003901	1
2	X004421	1904140	1
3	X004422	1904136	1
4	X004460	1904569	1
5	X004491	1905009	3
6	X004504	1904069 (L)	1
	X004428	1904070 (R)	1
7	X004721	1735900	1
8	Y015195	17245.. (L)	1
	Y015196	17246.. (R)	1
9	---	1908784	1
10	---	1001564	1
11	---	1007000	1
12	---	1008492	1
13	---	1990752	6
14	XC01056	3990047	1
15	---	1997879	2
16	---	T001002	1



2990895

E000623 / H

ARMREST B03 V-SERIE			Plan No. / Plannr.
ARMSTEUN B03 V-SERIE			E000623 / H
Scale / Schaal: 1:3	Drafted / Getekend	Verified / Nagezien	Confirmed / Bevestigd
Date / Datum	27/04/2010	31/08/2023	31/08/2023
Init. / Init.	TM	SD	PJ

