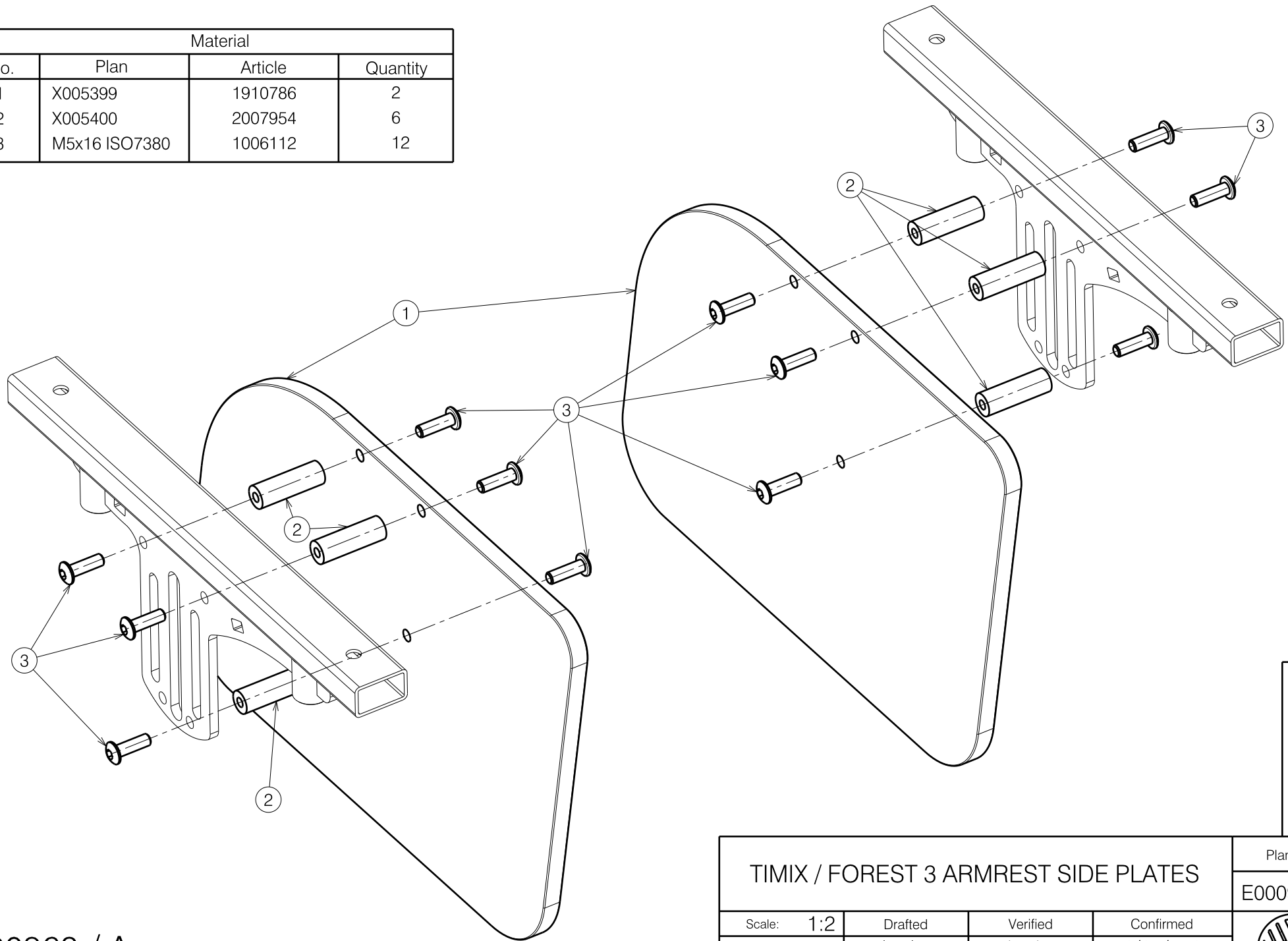



Material			
No.	Plan	Article	Quantity
1	X005399	1910786	2
2	X005400	2007954	6
3	M5x16 ISO7380	1006112	12



E000968 / A

TIMIX / FOREST 3 ARMREST SIDE PLATES				Plan No.
				E000968 / A
Scale: 1:2	Drafted	Verified	Confirmed	
Date	01/10/2014	01/10/2014	01/10/2014	
Initials	SD	SD	PJ	