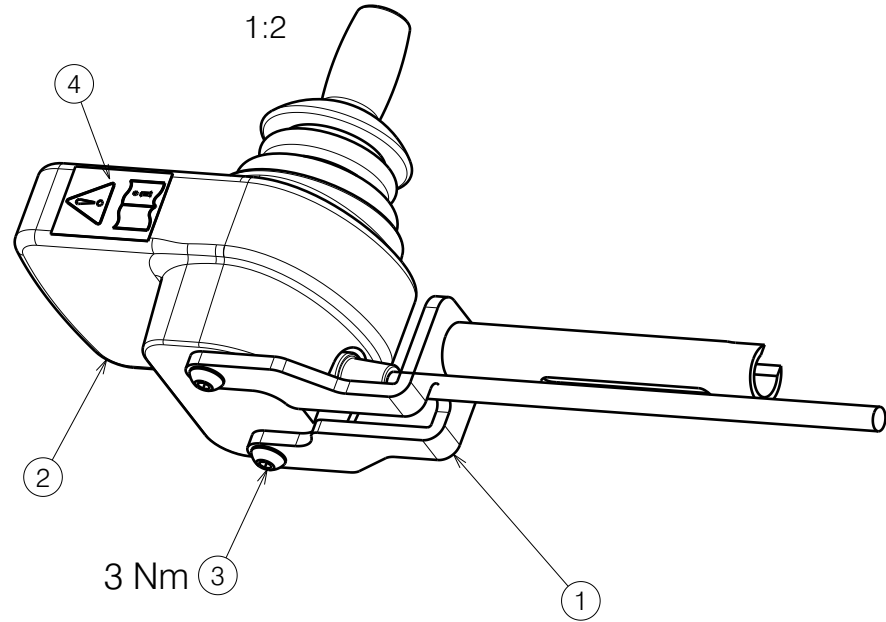
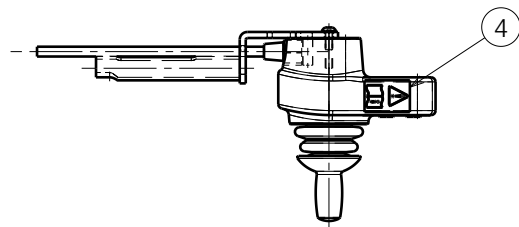
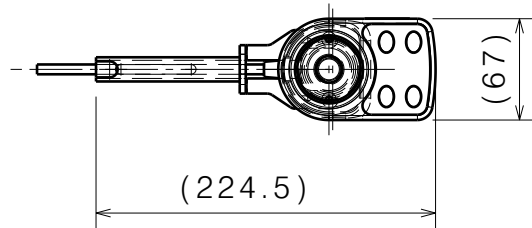
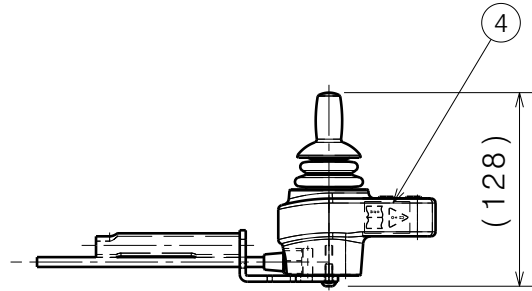


No.	Plan	Article	Qty
1	P00052651	2675865	1
2	Joystick	1919239	1
3	M5x12 Black	2994074	2
4	Sticker	1996154	1



NOTICE: THE INFORMATION CONTAINED ON THIS DRAWING IS PROPRIETARY TO VERMEIREN GROUP AND SHALL NOT BE DISCLOSED IN WHOLE OR IN PART, OR USED FOR ANY DESIGN OR MANUFACTURE, EXCEPT WHEN SUCH USER POSSESSES DIRECT WRITTEN AUTHORISATION FROM VERMEIREN GROUP.

CONTROLLER PLEGO			
Scale: 1:5	Drafted	Verified	Confirmed
Date	03.07.2023	03.07.2023	03.07.2023
Initials	BK	WM	TK

Plan No. E00052668/A.1
