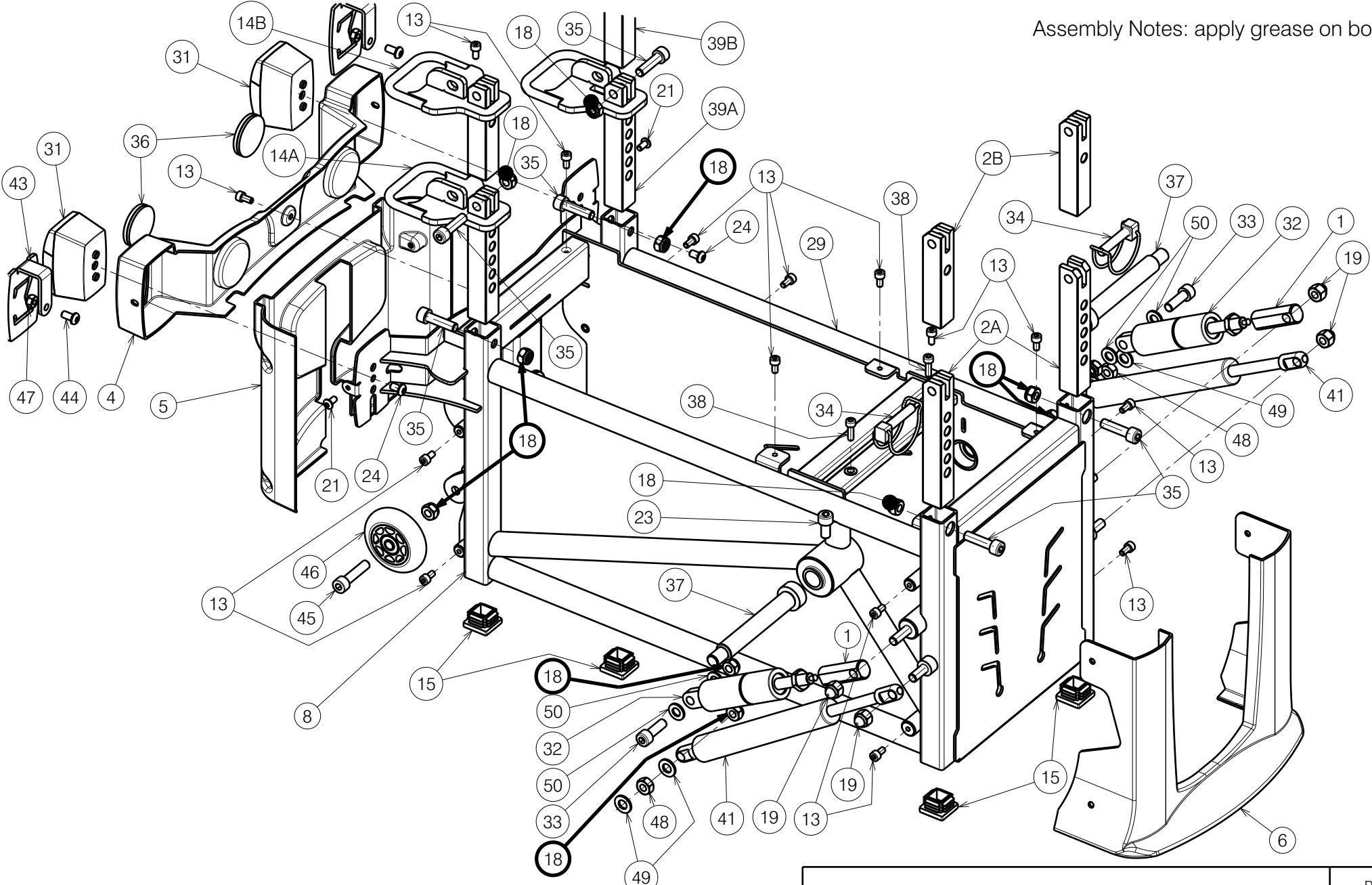


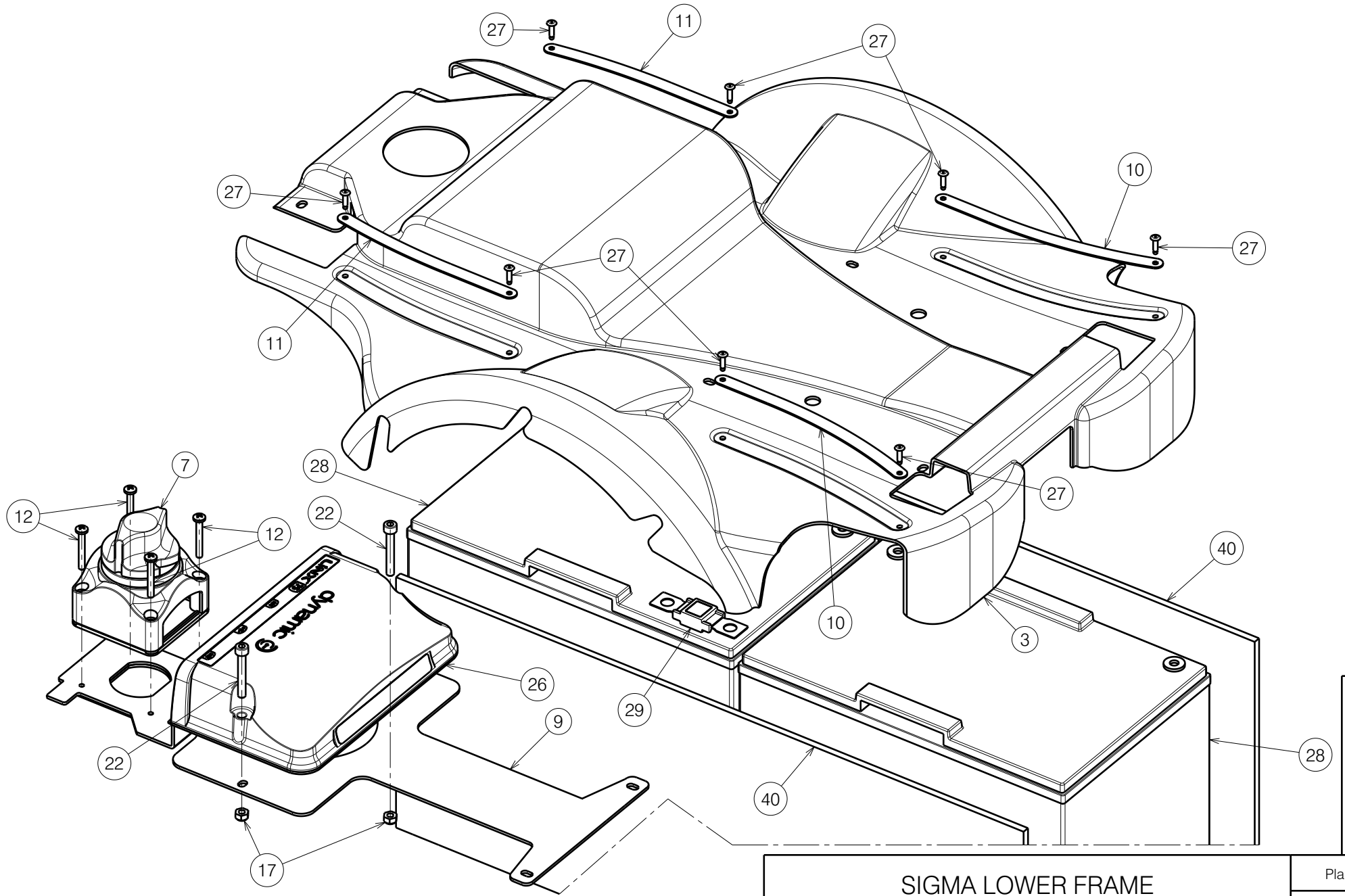
Assembly Notes: apply grease on bolts (37)



2993719


SIGMA LOWER FRAME				Plan No. E001094 / M
Sheet 1/4				
Scale: 11:50	Drafted	Verified	Confirmed	
Date	14/06/2018	11/08/2023	11/08/2023	
Initials	SD	PM	MK	

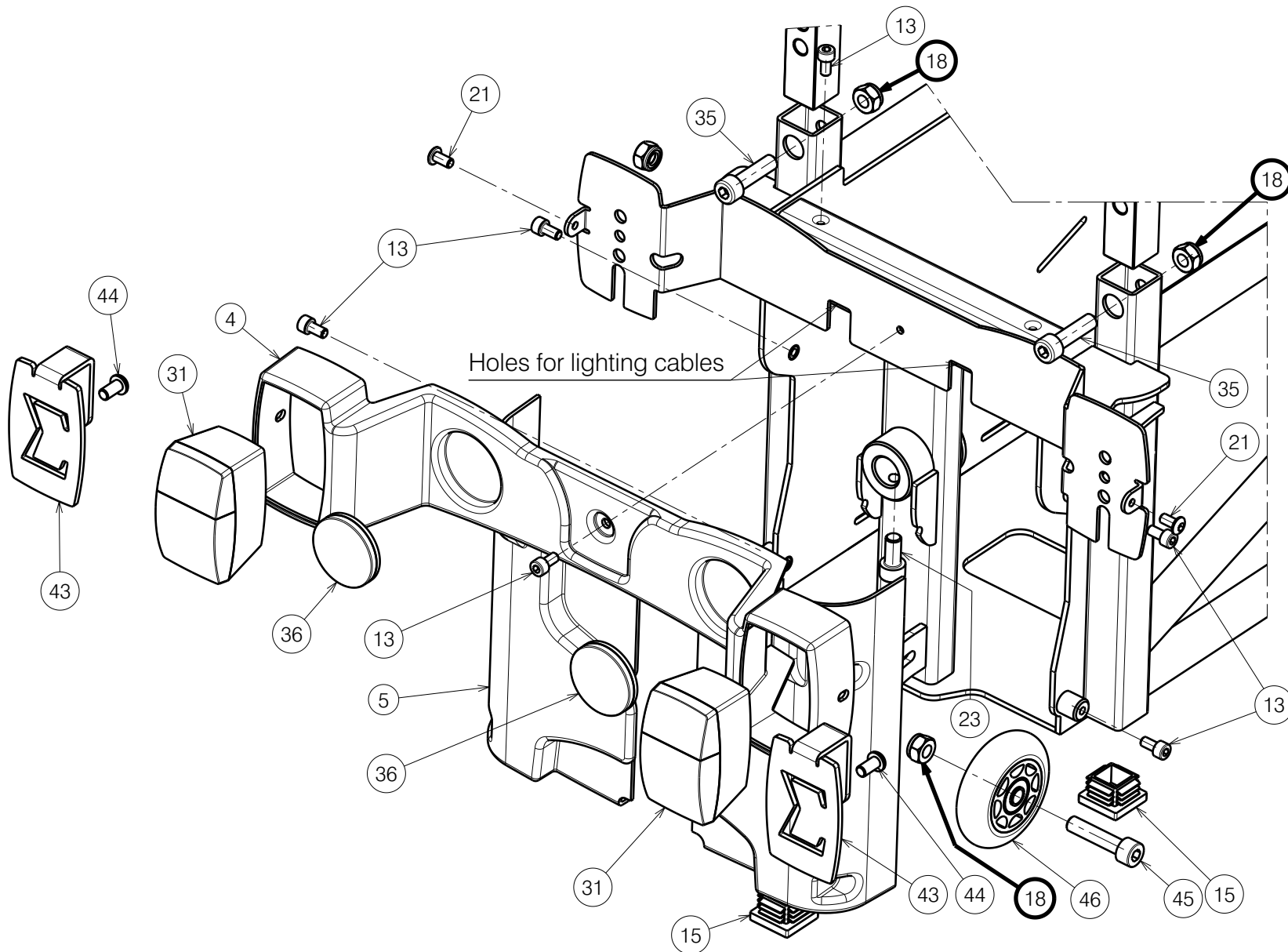
E001094 / M



2993719


E001094 / M

SIGMA LOWER FRAME Sheet 2/4				Plan No. E001094 / M
Scale: 3:10	Drafted	Verified	Confirmed	
Date	14/06/2018	11/08/2023	11/08/2023	
Initials	SD	PM	MK	



2993719

E001094 / M

SIGMA LOWER FRAME				Plan No. E001094 / M
Sheet 3/4				
Scale: 11:50	Drafted	Verified	Confirmed	
Date	14/06/2018	11/08/2023	11/08/2023	
Initials	SD	PM	MK	


Material							
No.	Plan	Article	Quantity	No.	Plan	Article	Quantity
1	X005646	2044500	2	26	60A	1912294	1
2A	X005653	2044726	2		75A	1912302	1
2B	X005860	2055526	2		120A	1912415	1
3	X005737	1914520	1	27	Ø3x10	1908849	8
4	X005749	1914536	1	28	12V - 80Ah	1909646	2
5	X005742	1914537	1	29	150 A	1910488	1
6	X005751	1914538	1	30	M10x DIN439B	1911868	2
7	XC00564	3992376	1	31	Rear Light	1914550	2
8	Y022658 DP	20450..	1	32	400 N	1914552	2
9	Y023222	2054354	1	33	M8x25 DIN912	1001499	2
10	Y022741	20452..	2	34	Ø8x40	1992510	2
11	Y022742	20453..	2	35	M8x30 DIN912	1915414	6
12	M4x30 DIN7985	1001487	4	36	---	1999996	2
13	M5x10 DIN912	1915412	15	37	M12-Ø16x100 ISO7379	1914812	2
14A	Y023178	2059826	1	38	M5x16 DIN912	1915415	2
14B	Y023384	2055626	1	39A	Y023551	2060426	1
15	□ 25x25	1001617	4	39B	Y023562	2063626	1
17	M5 DIN985	1001679	2	40	X005754	1915844	2
18	M8 DIN985	2994009	11	41	---	1915958	2
19	M8 DIN986	1902024	4	43*	Y023077	2054254	2
21	M5x10 ISO7380	1007063	2	44*	M6x12 ISO7380	1007000	2
22	M5x35 DIN912	1007961	2	45	M8x35 DIN912	2994318	1
23	M8x16 DIN912	1915411	3	46	---	1999844	1
24	M6x10 ISO7380	1900641	2	47*	M6 DIN985	1001680	2
25	---	W620262	2	48	M8 DIN934	1001671	2
				49	X0011119	1001554	4
				50	M8 DIN125	1003199	4

2B - 14B - 39B for use with SE42 lift module

* For model without lighting

2993719

E001094 / M

SIGMA LOWER FRAME				Plan No.
Sheet 4/4				E001094 / M
Scale: 11:50	Drafted	Verified	Confirmed	
Date	14/06/2018	11/08/2023	11/08/2023	
Initials	SD	PM	MK	