

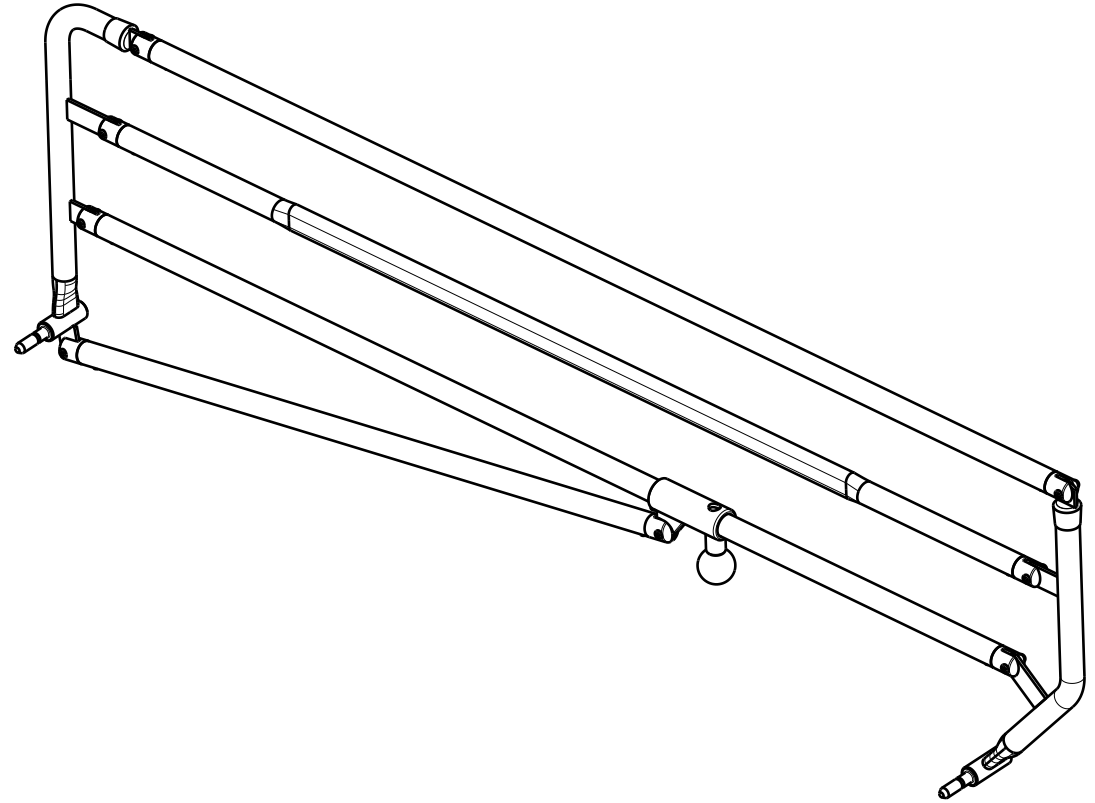
FOOTSIDE

HEADSIDE

EP00257 / G

<h3>RIGHT SIDE RAILS / ILLICO</h3>				Plan No.
				1/2 EP00257 / G
Scale: 1:6	Drafted	Verified	Confirmed	
Date	27/10/2017	11/03/2021	11/03/2021	
Initials	AZ	DR	TK	

Material			
No.	Plan	Article	Quantity
1	YP06056	2792282	1
2	YP06074	2792982	1
3	Y004091	1507882	1
4	Y004496	F002667	2
5	Y018142	1767382	1
6	YP06077	2795282	1
7	Y018201	1765782	1
8	X002074	1992183	2
9	X002170	1992792	1
10	X002278	1992934	1
11	X002279	1498400	1
12	X002397	1993353	1
13	X003698	1004550	1
14	X004984	1907802	6
15	Nut M6	1008492	8
16	M6x20 DIN912	1001493	8
17	D4x16	1003021	8
18	D4.8x19 DIN7983	1001534	1



EP00257 / G

RIGHT SIDE RAILS / ILLICO				Plan No.
				2/2 EP00257 / G
Scale: 1:6	Drafted	Verified	Confirmed	
Date	27/10/2017	11/03/2021	11/03/2021	
Initials	AZ	DR	TK	