

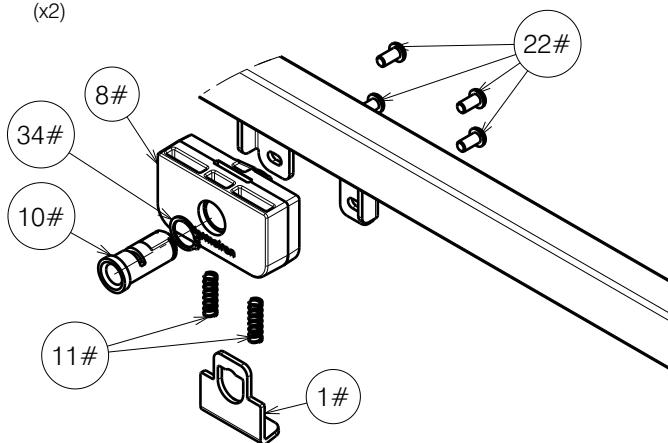
Mattres holder - way of assembly

EP00259 / M

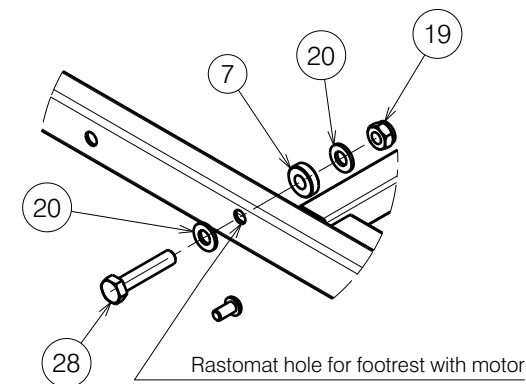
FOOT SIDE WITH LATHS / ILLICO				Plan No.
				1/2 EP00259 / M
Scale: 1:8	Drafted	Verified	Confirmed	
Date	30/10/2017	24/08/2023	24/08/2023	
Initials	DB	PM	AZ	

Material			
No.	Plan	Article	Quantity
1#	YP08882	2629303	2
2	YP06217 / Right	2795303	1
3	YP05897 DP	27851	1
4	YP06174	27948	1
5	YP06175	27949	1
6	X004563	1904874	2
7	X004967	1908262	2
8#	XP01795	2993539	2
9	D5,3 DIN 125	1000972	4
10#	XP02992	GP22400	2
11#	XP01899	GP12700	4
12	XP01906	2993600	2
13	XP01912	2993607	2
14	XP02064	2993688	2
15	Nut M5 DIN 986	1992804	2
16	XP01954	2993706	2
17	XP01975	GP13500	2
18	Nut M6 DIN 985	1001680	6
19	X001016	1001682	8+2**
20	D8,4x17x1,6 DIN 125	1003199	24+4**
21	M6x20	1006999	2
22#	M6x12	1007000	8
23	LA27	1903979	1
24	XP02329	2994246	1
25	M8x20	1992349	2
26	M5x40	2993786	2
27	M8x60 DIN 931	2993704	2+2**
28	M8x40 DIN 931	2993705	4
29	Pen D10x50	1998885	2
30	Tube Cap 30x20	1997922	2
31	Tube Cap 20x20	1001612	2
32	Wheel D29	2993761	2
33	Rastomat	1909002	2
34#	DIN 471 15,7-1mm	2993606	2
35	YP06216 / Left	2784803	1
36	SterKnop M8x20	2993800	2
37	Nylon rivet	1990752	2
38	Cup Rubber 8mm	1001637	2
39*	Motor cable	1912902	1
40*	Label "4" for cable	1995838	1
41*	XP01997	2993909	2**

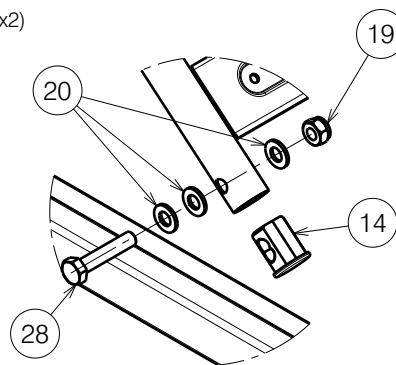
E (1:4)
(x2)



D (1:4)
(x2)



F (1:4)
(x2)

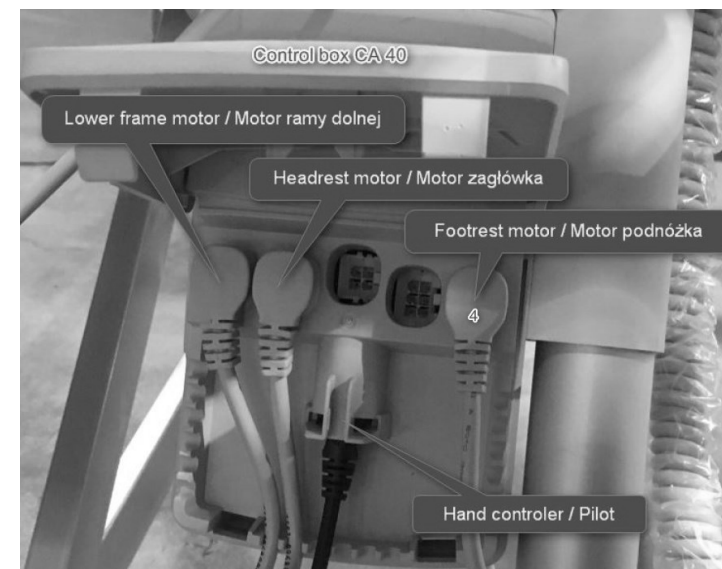


* - Not depicted

** - Pack with the remote control in a string bag

- Use only with metal side rails (EP00256 & EP00257).

Do not use with wooden bars (EP00280) and SSR (EP00493)



FOOT SIDE WITH LATHS / ILLICO

Plan No.

2/2 EP00259/M

Scale: 1:8

Drafted

Verified

Confirmed

Date

30/10/2017

24/08/2023

24/08/2023

Initials

DB

PM

AZ



EP00259 / M