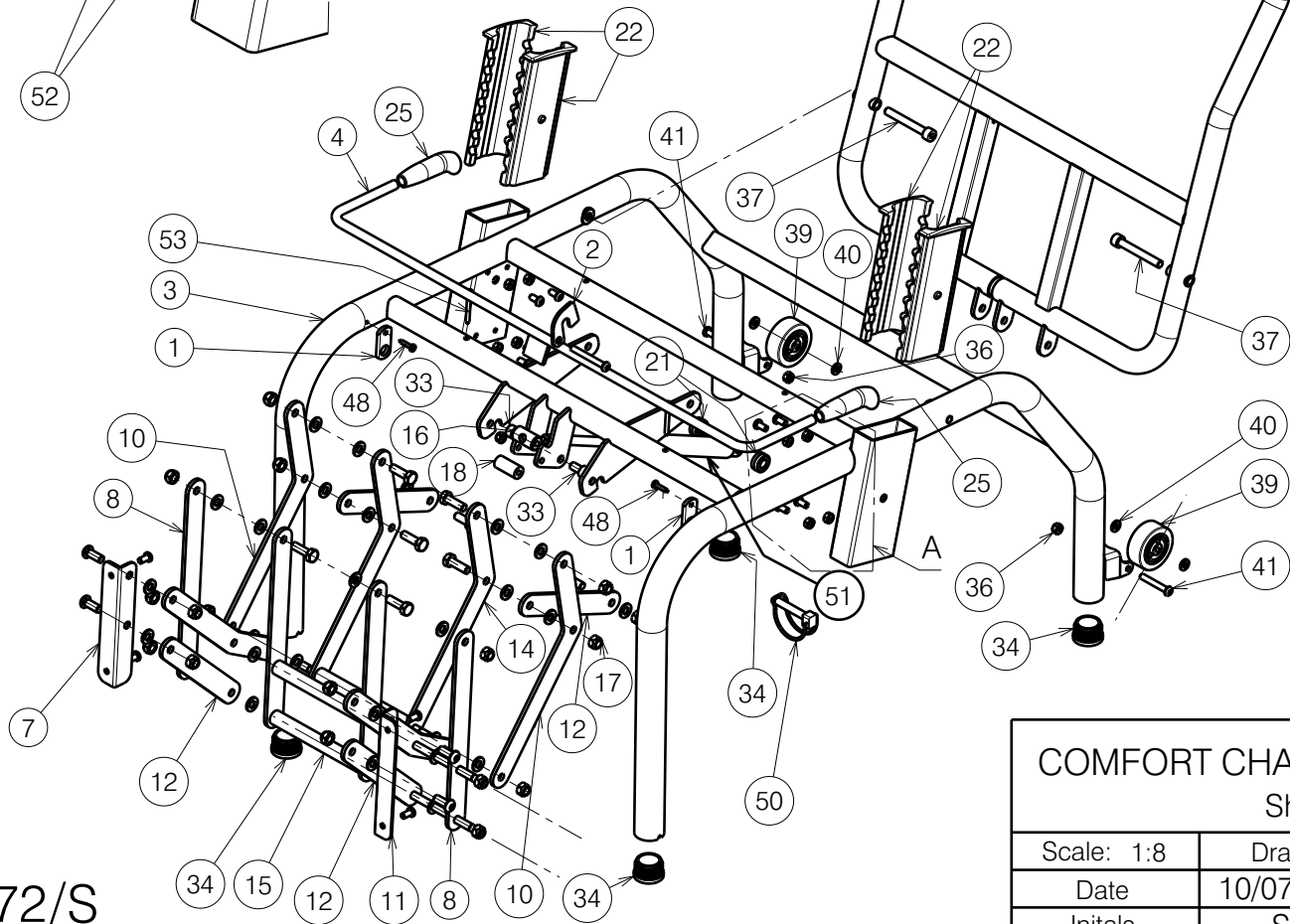
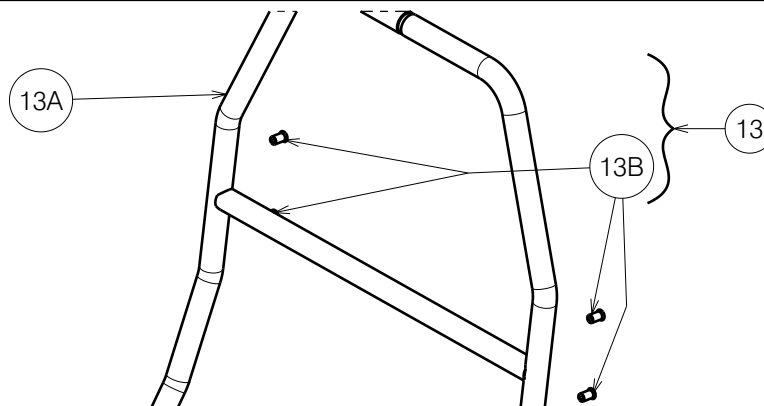


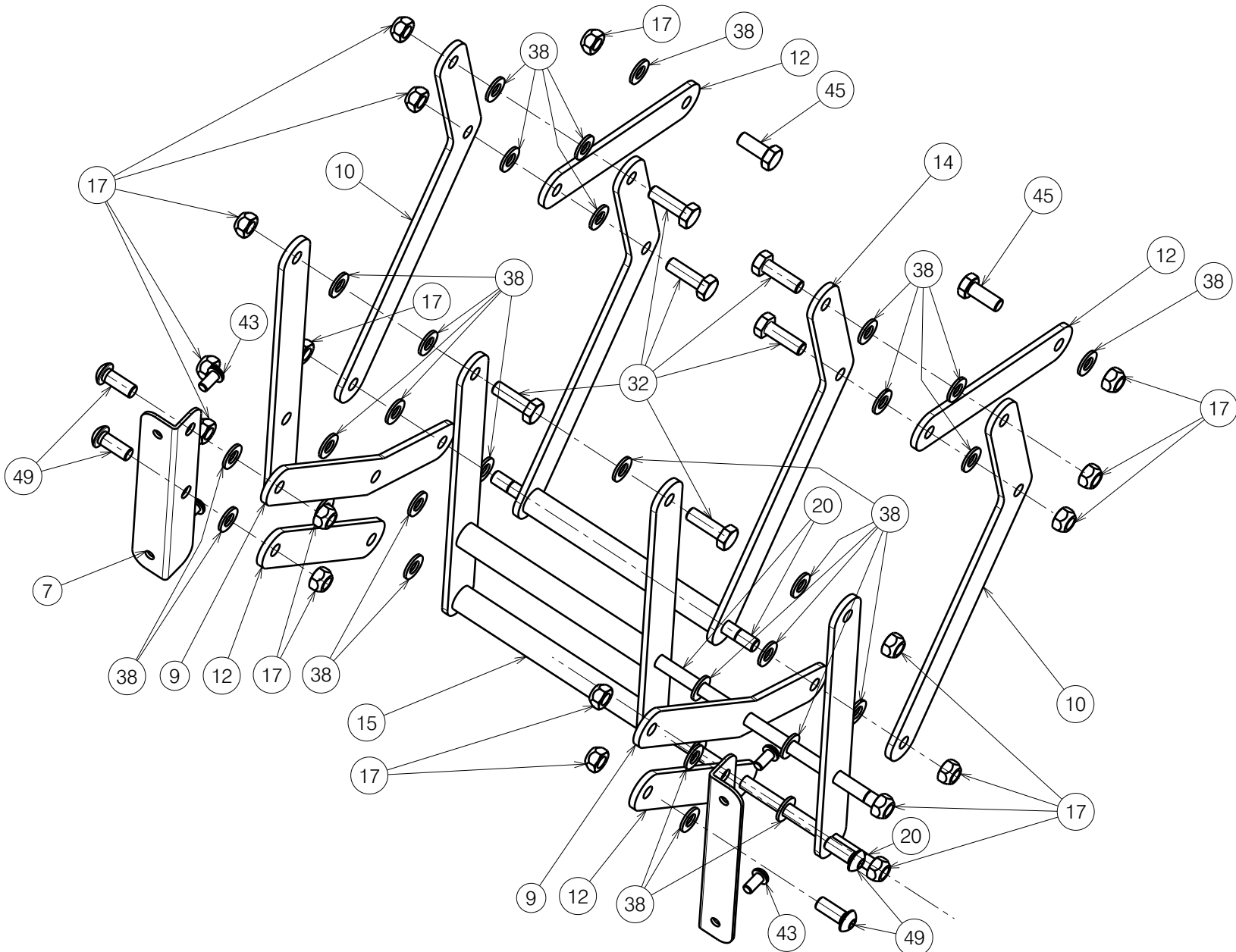
Detail A  
Scale: 2:5




5105815

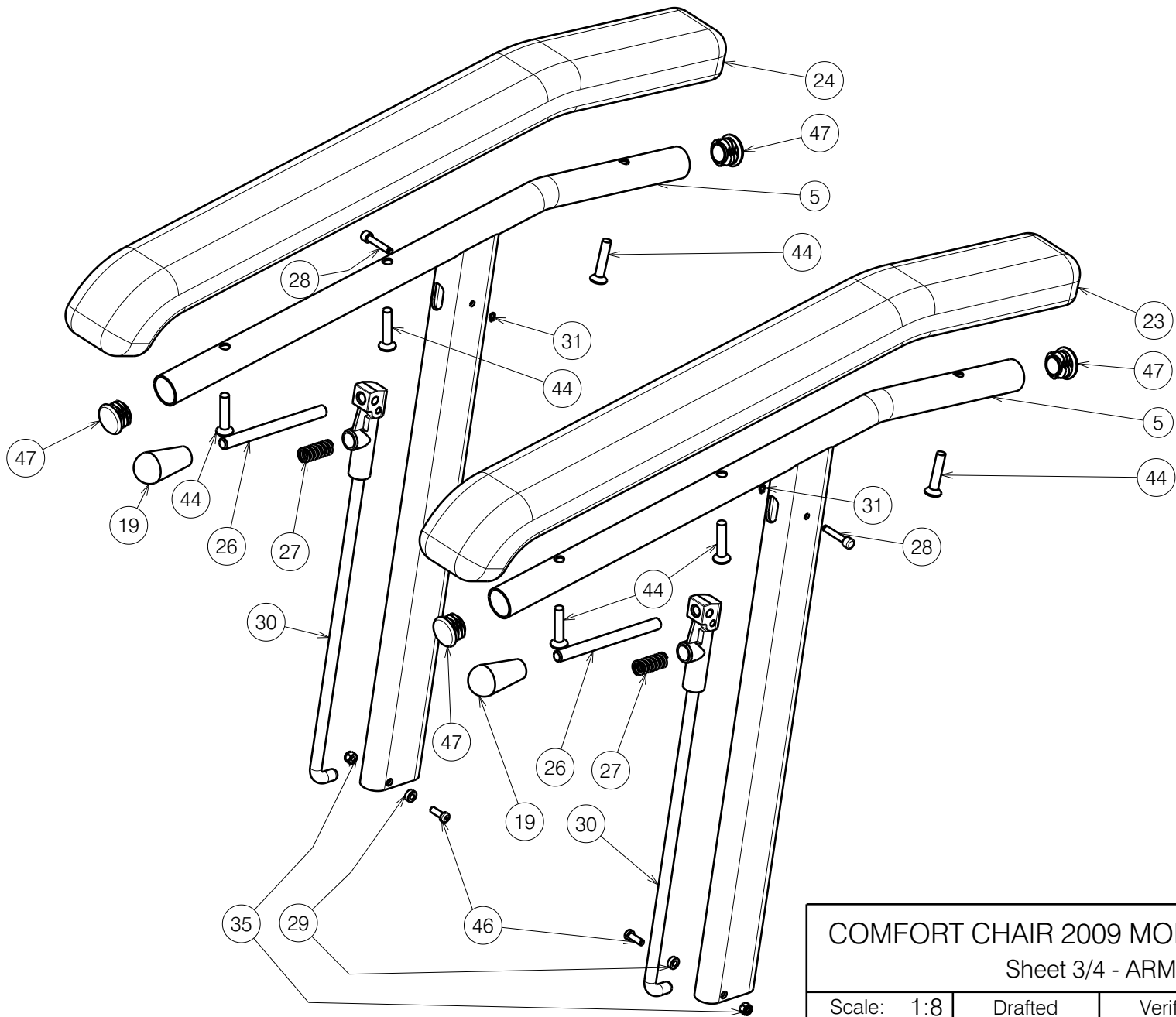
E000572/S

COMFORT CHAIR 2009 MODEL NORMANDIE Sheet 1/4 - FRAME				Plan Number
				E000572/S
Scale: 1:8	Drafted	Verified	Confirmed	
Date	10/07/2009	12/04/2021	12/04/2021	
Initials	SD	SD	PJ	




E000572/S

COMFORT CHAIR 2009 MODEL NORMANDIE Sheet 2/4 - FOOTREST FRAME				Plan Number
				E000572/S
Scale: 1:8	Drafted	Verified	Confirmed	
Date	10/07/2009	12/04/2021	12/04/2021	
Initials	SD	SD	PJ	




E000572/S

COMFORT CHAIR 2009 MODEL NORMANDIE				Plan Number
Sheet 3/4 - ARMRESTS				E000572/S
Scale: 1:8	Drafted	Verified	Confirmed	
Date	10/07/2009	12/04/2021	12/04/2021	
Initials	SD	SD	PJ	

Bill of material							
No.	Plan	Article	Quantity	No.	Plan	Article	Quantity
1	Y012249	1667282	2	27	XC00423	3991837	2
2	Y015193	1715082	1	28	XP00180	1824500	2
3	Y015277	1714682	1	29	XP00192	1826100	2
4	Y015293	1714700	1	30	XP00208	2990139	2
5	Y015294	1714801	2	31	XP00297	2990125	2
7	YP00412	1822582	1	32	M8x25 DIN933/8.8	1001442	6
8	YP00483	1822482	2	33	M8x16 DIN912/8.8	1001498	2
9	YP00491	1822382	2	34	---	1001610	4
10	YP00568	1822282	2	35	M4 DIN985	1001678	2
11	YP00592	1822682	1	36	M6 DIN985	1001680	3
12	YP00635	1822882	4	37	M8x60 DIN912/8.8	1997781	2
13	---	2072782	1	38	M8 DIN125	1003199	30
13A	YP00913	1836882	1	39	---	1003277	2
13B	X000989	1004539	4	40	M6 DIN125A	1001564	2
14	YP00715	1824982	1	41	M6x40	1006111	2
15	YP00716	1825082	1	42	M6x50	1006997	1
16	X000319	G080200	1	43	M6x12	1007000	12
17	X001016	1001682	18	44	M6x30 DIN966/4.8	1007954	6
18	X001296	G065155	1	45	X003827	1009400	2
19	---	1998407	2	46	M4x12 DION9785H	1900952	2
20	X001862	1447500	3	47	---	1990648	4
21	X002480	1993793	2	48	Ø4x20	1991373	2
22	X004586	1904800	4	49	M8x20	1992349	4
23	XP00177	2990116	1	50	Ø8x45	1993594	1
24	XP00178	2990117	1	51	150 N	1917602	1
25	X004587	1904801	2	52	M6 DIN934	1001670	8
26	XP00176	1824100	2	53*	Ø4x40	1005207	2
				54**	M6x35 DIN966/4.8	1003903	4

\* Not mounted, delivered separately

\*\* Not depicted

COMFORT CHAIR 2009 MODEL NORMANDIE				Plan Number
Sheet 4/4 - BILL OF MATERIAL				E000572/S
Scale: 1:8	Drafted	Verified	Confirmed	
Date	10/07/2009	12/04/2021	12/04/2021	
Initials	SD	SD	PJ	

E000572/S