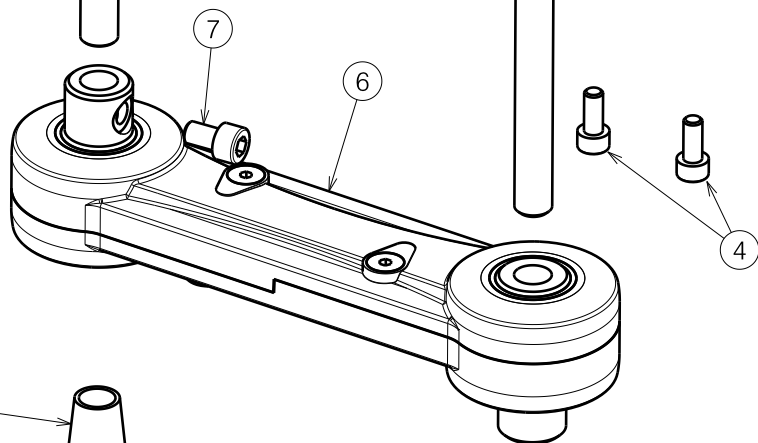
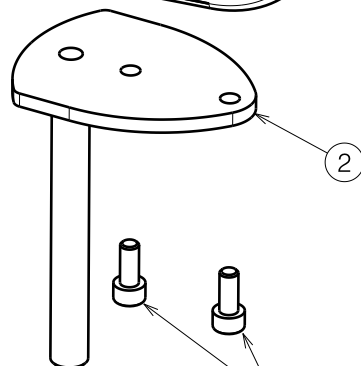
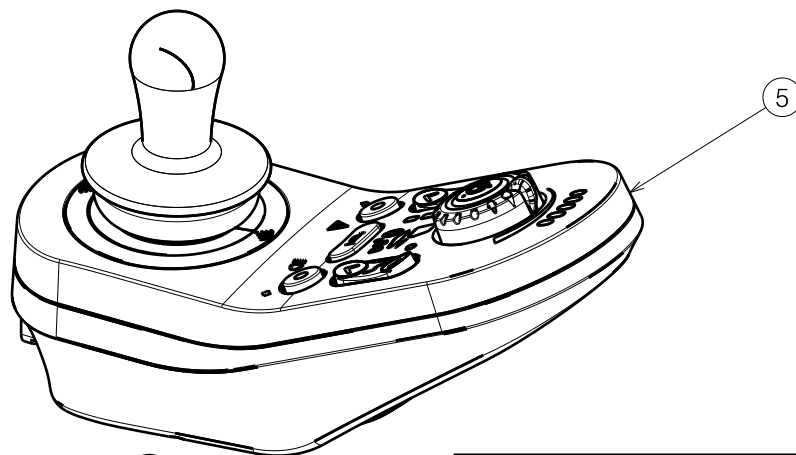
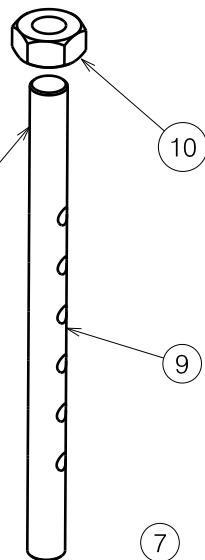



Glue with H900009



Material			
No.	Plan	Article	Quantity
1	X005462	2010954	1
2	Y021994	2022054	1
3	M8X10 DIN916/45H	1008942	2
4	M5x12 DIN912	1001489	2
	SE39	1912301	1
	SE39+SE19	1912296	1
	SE39+SE19+ACT	1912305	1
6	---	1908428	1
7	X002112	1001491	1
8	X005419	1910801	2
9	X004992	G116300	1
10	M10x1 DIN934	1901345	1

1911325

E000982 / C

SE53A ADJUSTABLE CONTROLLER				Plan No.
				E000982 / C
Scale: 1:2	Drafted	Verified	Confirmed	
Date	25/03/2015	03/11/2016	03/11/2016	
Initials	TT	NV	PJ	