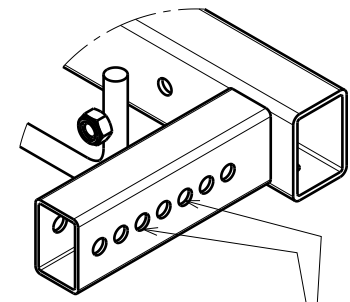


Detail A



Default mounting holes

2992795

E000959 / I

SEAT FRAME L16 FOREST3 Sheet 1/2			
Scale: 1:5	Drafted	Verified	Confirmed
Date	26/05/2014	11/01/2021	11/01/2021
Initials	SD	TT	PJ

Plan No.  
E000959 / I


Material			
No.	Plan	Article	Quantity
1	X001016 (M8 DIN985)	1001682	6
2	X003403	1617400	4
3	X004860	1906817 (40)	1
	X004855	1906741 (45)	1
	X004887	1906818 (50)	1
4	Y017414	1775254 (40)	1
	Y017984	1769754 (45)	1
	Y017889	1776054 (50)	1
5	Y018940	1778754 (40)	1
	Y018164	1776654 (45)	1
	Y018361	1778654 (50)	1
6A	Y018411	1778354 (40)	1
	Y018368	1778454 (45)	1
	Y018369	1778554 (50)	1
6B	Y024071	2080754 (40)	1
	Y024008	2078754 (45)	1
	Y024072	2080854 (50)	1
7	Y019775	1790554	1
8	Y021021	2007454	1
9	Ø4x11	1001583	4
10	M6 DIN985	1001680	16
11	M6x12	1007000	4
12	M8x40	1008739	2
13	---	1009992	2
14	M12 PA6.6	1993362	2
15	M8x20 DIN7991/8.8	1903136	4
16	M6x30 DIN7984/8.8	1992721	12
17	---	2990413	2

6A For B06, BZ7 and BZ7E attachment

6B For BZ10 attachment

2992795

E000959 / I

SEAT FRAME L16 FOREST3				Plan No.
Sheet 2/2				E000959 / I
Scale: 1:5	Drafted	Verified	Confirmed	
Date	26/05/2014	11/01/2021	11/01/2021	
Initials	SD	TT	PJ	