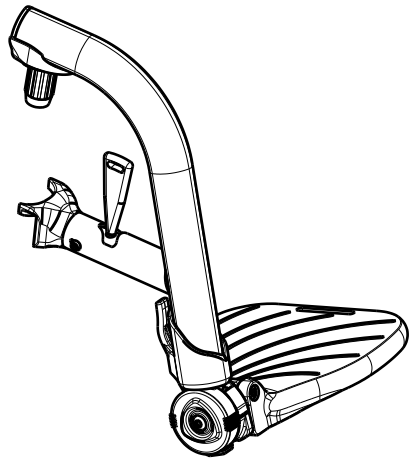


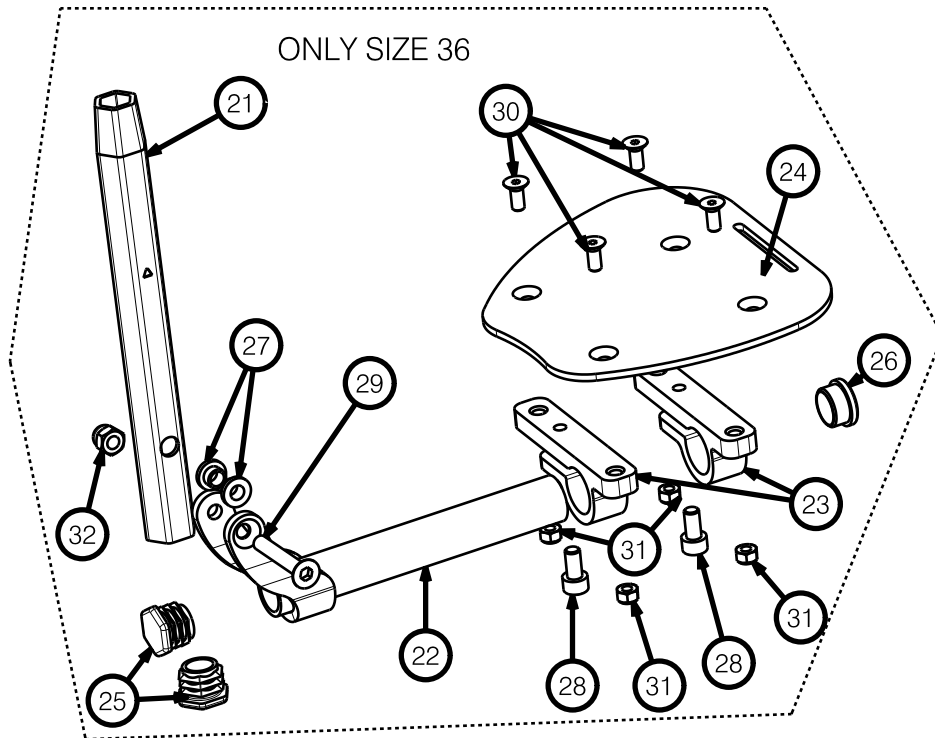
EP00412 / E

<h1>FOOTREST BA6 TRIGO</h1>				Plan No.
				EP00412 / E
Scale: 1:3	Drafted	Verified	Confirmed	
Date	28/06/2019	24/11/2022	24/11/2022	
Initials	AS	PM	AS	



Material			
No.	Plan	Article	Quantity
21	YP06246	2796026	1
22	YP06254(R)	2796665	1
	YP06893(L)	2765665	1
23	XP01504	GP07699	2
24	YP06256(R)	2796754	1
	YP06257(L)	2796854	1
25	X004774	1906056	2
26	Cap D19	1001602	1
27	XP01127	2990164	2
28	M6x12 DIN912	2994005	2
29	M6x40 DIN7991	2994123	1
30	M5x12 DIN7991	2994076	4
31	M5	2994006	4
32	M6	2994059	1

Material			
No.	Plan	Article	Quantity
1	YP07495	27711..(70)	1
	YP07496	27710..(80)	1
	YP07497	27712..(90)	1
2	XP02608	2994398	1
3	XP01546	2993452	1
4	XP01565	2993472	1
5	XP02030	GP14499	1
6	XP01512	2993454	1
7	XP01628	GP09100	1
8	XP01523	GP08000	1
* 9	XP02026	2993662	1
* 10	XP02025	2993661	1
* 11	XP01655(L)	2993501(38-40)	1
	XP01656(R)	2993502(38-40)	1
	XP01639(L)	2993475(42-44)	1
	XP01640(R)	2993476(42-44)	1
	XP01644(L)	2993480(46-48)	1
	XP01643(R)	2993479(46-48)	1
	XP01641(L)	2993477(50)	1
	XP01642(R)	2993478(50)	1
12	YP07499	2771399	1
13	Y016501	1733500	1
14	M6x12 DIN916	1005949	1
* 15	M6x40 DIN912	2994066	1
* 16	M6X45	2994086	1
* 17	M6	2994063	2
18	M6X25	2994062	1
19	M3.5x9.5	2994075	2
20	Belt	2994391	1



\* Only size 38-50

EP00412 / E

FOOTREST BA6 TRIGO				Plan No.
				EP00412 / E
Scale: 1:3	Drafted	Verified	Confirmed	
Date	28/06/2019	24/11/2022	24/11/2022	
Initials	AS	PM	AS	

