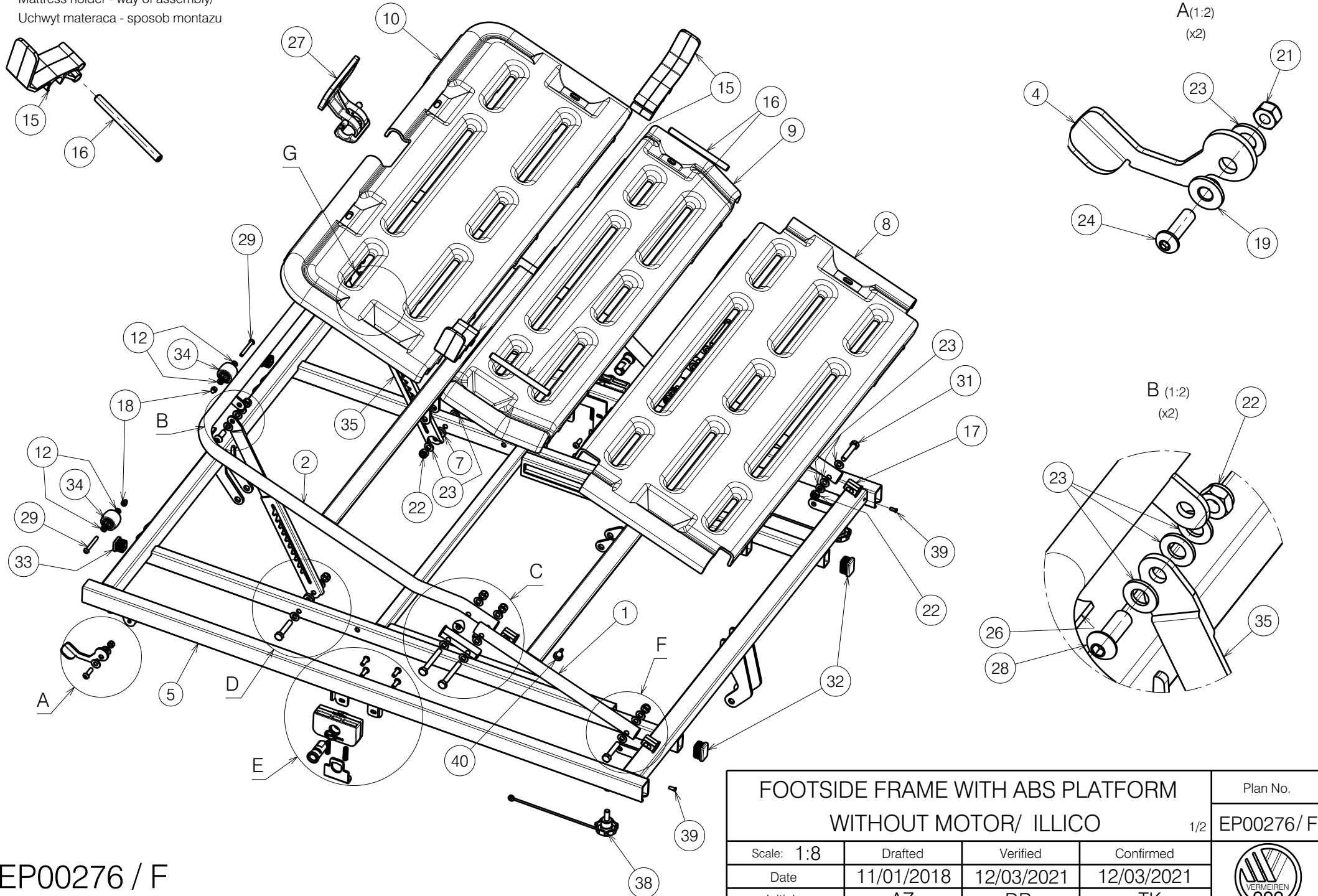


Mattress holder - way of assembly/
Uchwyt materaca - sposob montazu



FOOTSIDE FRAME WITH ABS PLATFORM
WITHOUT MOTOR/ ILLICO

Plan No.

1/2 EP00276/ F

Scale: 1:8

Drafted

Verified

Confirmed

Date

11/01/2018

12/03/2021

12/03/2021

Initials

AZ

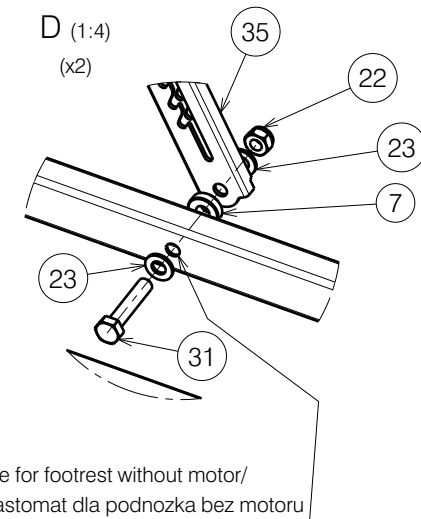
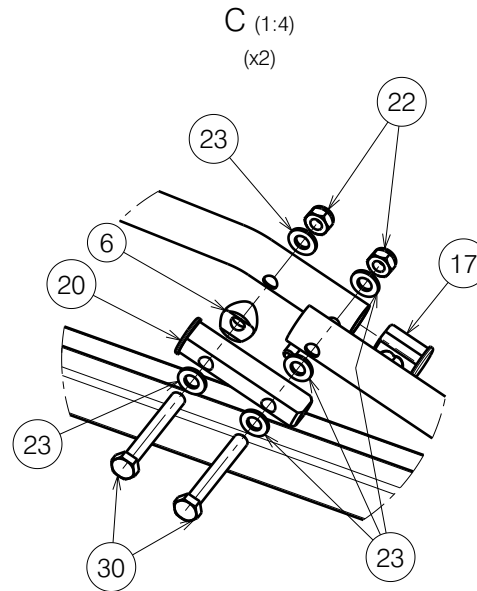
DR

TK

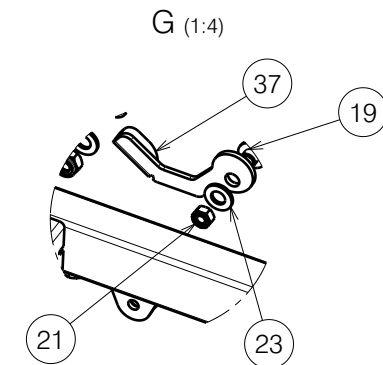
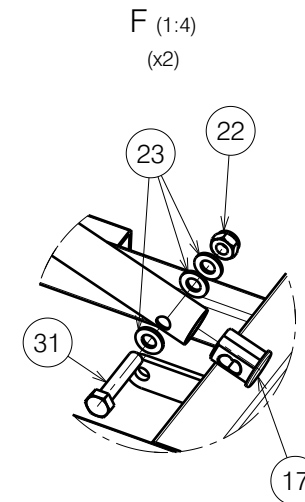
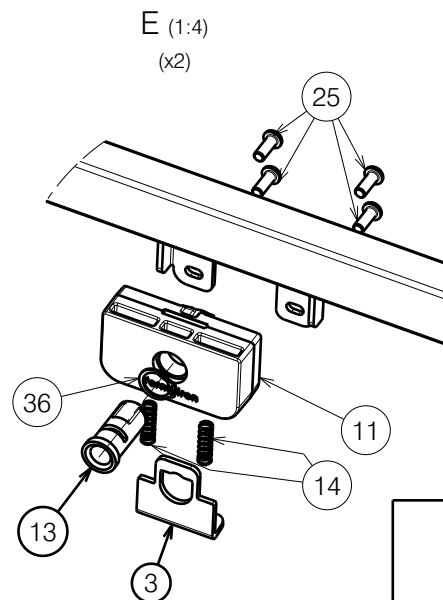


EP00276 / F

Material			
No.	Plan	Article	Quantity
1	YP05880	2784582	1
2	YP05884	2784682	1
3	YP08882	2629303	2
4	YP06217 / Right	2795303	1
5	YP05897 DP	2785182	1
6	XP01997	2993909	2
7	X004967	1908262	2
8	XP01792	2993536	1
9	XP01793	2993537	1
10	XP01794	2993538	1
11	XP01795	2993539	2
12	D5,3 DIN 125	1000972	4
13	XP02992	GP22400	2
14	XP01899	GP12700	4
15	XP01906	2993600	2
16	XP01912	2993607	2
17	XP02064	2993688	2
17*	XP01916	2993701	2
18	Nut M5 DIN 986	1992804	2
19	XP01954	2993706	2
20	XP01975	GP13500	2
21	M6 DIN 985	1001680	6
22	X001016	1001682	10
23	D8,4xD17x1,6 DIN 125	1003199	28
24	M6x20	1006999	2
25	M6x16	1008459	8
26	Velcro 25mm	1990663	0,05m
27	XP02329	2994246	1
28	M8x20	1992349	2
29	M5x40	2993786	2
30	M8x60 DIN 931	2993704	4
31	M8x40 DIN 931	2993705	4
32	Tube Cap 30x20	1997922	2
33	Tube Cap 20x20	1001612	2
34	Wheel D29	2993761	2
35	Rastomat	1909002	2
36	DIN 471 15,7-1	2993606	2
37	YP06216 / Left	2784803	1
38	SterKnop M8x12	2993800	2
39	Nylon rivet	1990752	2
40	Cup Rubber 8mm	1001637	2



Rastomat hole for footrest without motor/
Otwor pod Rastomat dla podnozka bez motoru



FOOTSIDE FRAME WITH ABS PLATFORM
WITHOUT MOTOR/ ILLICO

Plan No.

2/2 EP00276/ F

Scale: 1:8

Drafted

Verified

Confirmed

Date

11/01/2018

12/03/2021

12/03/2021

Initials

AZ

DR

TK



EP00276 / F

* - milled part, use only if 17 is unavailable

/ element frezowany, uzyc tylko w przypadku braku 17